



INSTALLATION INSTRUCTIONS

Thank you for purchasing ROXTER™ Hitch Mounted Mud Flaps. Agri-Cover, Inc. proudly manufactured these mud flaps using superior quality materials and workmanship. With proper care, your mud flaps will provide years of service and enjoyment.

NOTICE TO INSTALLER: Even if familiar with product, read instructions prior to installation as improvements may be made without notice. Always handle components with care. If you have questions or problems, call customer service. When done, these instructions must be given to the consumer.

NOTICE TO CONSUMER: Before using this product, read safety and maintenance sections. Save these instructions for future reference.

FOR YOUR RECORDS

DATE PURCHASED: _____

WHERE PURCHASED: _____



Questions? (888) 568-3709
agricover.com

PREPARATION

COMPONENTS

- (4) Mud flaps with hardware
- (2) Rails
- (2) Rail plugs
- Support rail
- Upper clamp with hardware
- Lower clamp

TOOLS NEEDED

- 9/16" Wrench
- Ft-lb. torque wrench with 9/16" socket
- Utility knife
- Straight edge
- Drill with 13/32" drill bit
- Marking pen
- Protective eyewear

IMPORTANT: Hitch mounted mud flaps may interfere with rear sensors on vehicle.

IMPORTANT: Always remove mud flap when driving off road. Contact with obstacles may cause damage.

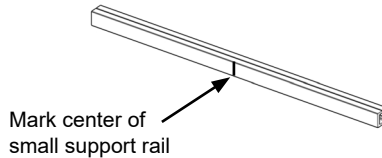
NOTE: Hardware appearance and components may vary.

NOTE: Some modification may be needed for your truck model.

▲ CAUTION: Over torquing hardware may damage components.

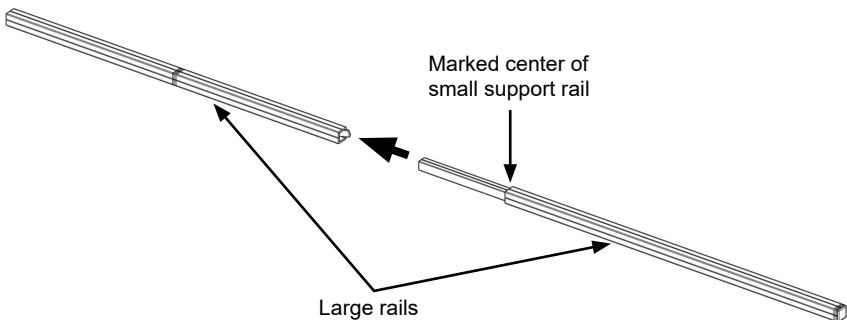
1: ASSEMBLE FRAME

A. Measure and mark center point on small support rail.



B. Insert small support rail into large rail to center mark.

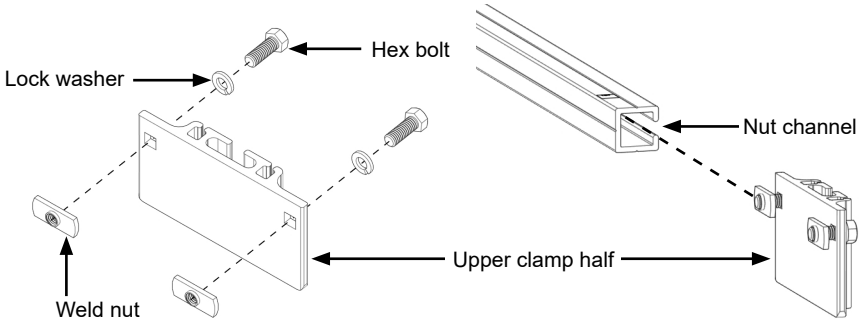
C. Repeat for remaining large rail on opposite side.



1: ASSEMBLE FRAME (Continued)

D. Insert (2) 3/8" x 1" hex bolts with lock washers through upper clamp half into weld nuts. Leave loose for now.

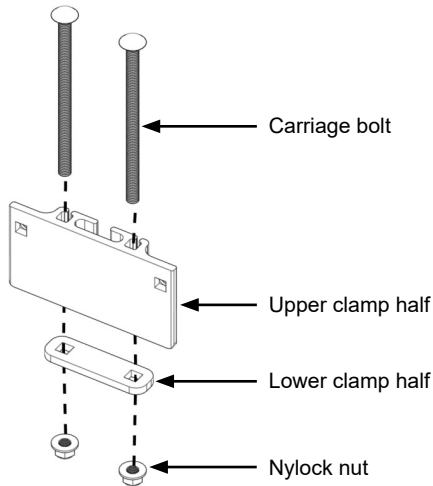
E. Slide weld nuts into nut channel on rail and center, then torque bolts to 32 ft-lbs.



2: ASSEMBLING CLAMP

A. Insert (2) 3/8" x 6" carriage bolts through upper and lower clamp halves and finger tighten nylock nuts.

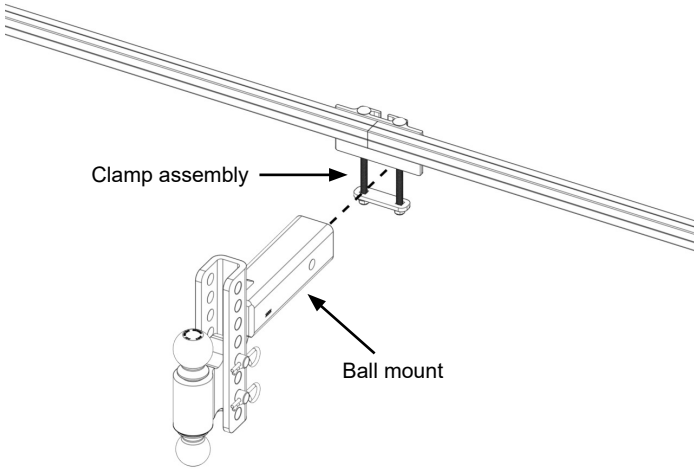
NOTE: Frame not shown for illustration purposes.



3: ASSEMBLING BALL MOUNT TO FRAME

A. Slide ball mount through clamp assembly, then lift and insert ball mount into receiver. Secure with pin and clip.

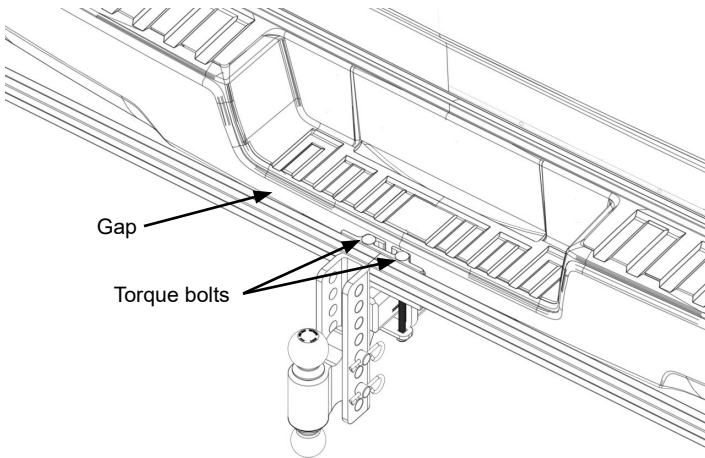
NOTE: Ball mount not included. If holes in ball mount and receiver do not align for pin, or frame cannot hang straight and plumb, a longer ball mount may be needed before proceeding.



4: PLACING ROXTER™ ON BUMPER

A. Tighten 3/8" x 6" carriage bolts on clamp assembly then torque to 32 ft-lbs.

NOTE: A gap should be left between frame and bumper.



5: INSTALLING FLAPS

⚠ WARNING: Ensure exhaust fumes are NOT directed or redirected toward any plastic or flaps, including on the vehicle. Additional precautionary measures may need to be taken to divert exhaust.

Precautionary Measures:

- Adjust exhaust tips per manufacturer's specifications
- Add an exhaust diverter
- Optional heat shield available to protect flap from hot exhaust (see accessories)
- For rear exhaust, cut hole in flap 1" larger than exhaust tip, keep holes away from edges to prevent loss of strength

A. Position flaps to provide proper tire coverage.

NOTE: Always check ground clearance of flaps. Suggested clearance without a load is 5"-7" and with a load is 3" minimum to prevent dragging. Install on vehicles with suspension modifications or oversized tires may exceed suggested clearance. Mud flaps still function, though performance may be affected.

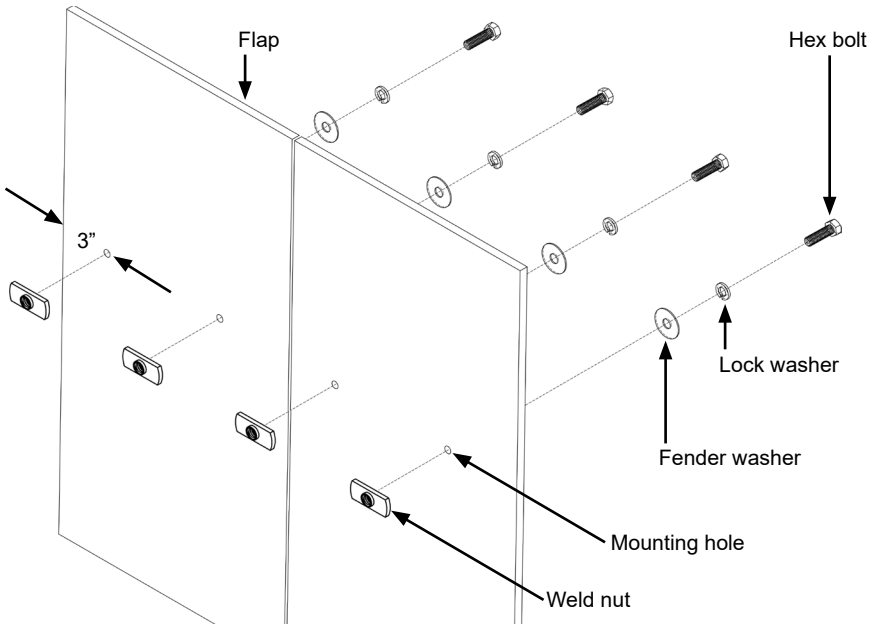
Tip: If trimming is necessary, lay flaps on flat surface. Use straight edge and utility knife to repeatedly score through flap.

B. Drill mounting holes 3" or more from edge at selected height.

C. Insert (4) 3/8" x 1-1/4" hex bolts, lock washers and fender washers into flap, secure with weld nuts. Keep loose for now.

D. Repeat on opposite side.

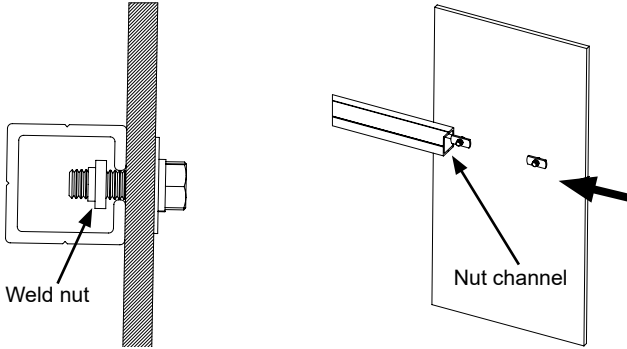
Tip: If installing trim plates, refer to trim plate instructions.



5: INSTALLING FLAPS (Continued)

E. Slide weld nuts on back of flap into nut channel on rails then push plug into end of frame.

F. Repeat on opposite side.

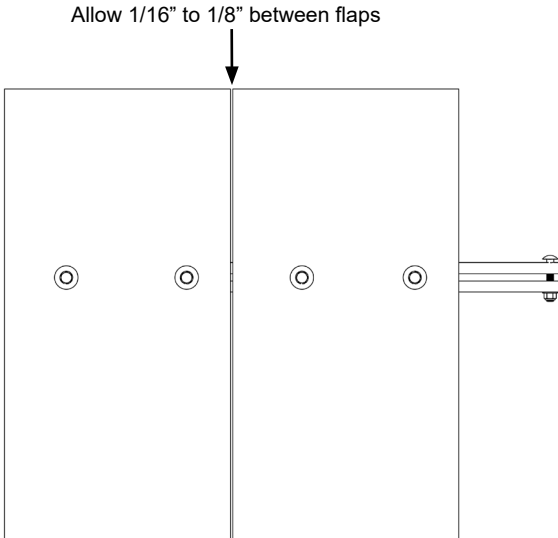


6: SECURE FLAPS

A. Slide outside flap to edge of rail and align with outside of your tire.

NOTE: If trim plates were not installed, slide inside flap almost against outside flap. Keep $1/16''$ to $1/8''$ between flaps.

B. Tighten hex bolts until lock washers are fully compressed.



SAFETY AND MAINTENANCE

The operator can perform most of inspection and maintenance. It may be necessary to review the installation instructions.

- Always route safety chains under mud flap frame, not through holes.
- Periodically check all bolts and nuts, retighten if needed.
- Always remove mud flaps before entering automatic car wash systems.
- Always remove mud flaps when driving off road. Contact with obstacles may cause damage.
- Remove mud flap when not towing to improve fuel efficiency.
- DO NOT use mud flap frame as a step.
- DO NOT hook up anything to mud flap frame.
- If mud flap has been damaged, replace with new one.

NOTE: Inspection and/or maintenance should be performed anytime a malfunction is observed or suspected. If you need assistance inspecting and/or servicing your mud flaps, call customer service at 888-568-3709. Always use original equipment replacement parts for your mud flaps.

ACCESSORIES

2-1/2" RECEIVER CLAMP

Corrosion resistant clamp and mounting hardware designed to attach ROXTER™ Mud Flaps to 2-1/2" ball mount.

PN 4001592



HEAT SHIELD

Protects the flap from hot exhaust. Stainless steel plate and hardware included.

PN 80807



MANUFACTURER'S LIMITED WARRANTY

Agri-Cover, Inc. extends the following (1) year Limited Warranty for the ROXTER™ Hitch Mounted Mud Flaps:

Agri-Cover, Inc. warrants a period of one (1) year from the date of manufacture that its ROXTER™ Hitch Mounted Mud Flaps are free from defects in workmanship, under normal use for the truck model it was intended for. This Limited Warranty does not cover any damage due to accident, abuse, misuse, alteration, neglect, improper installation, or ordinary wear and tear.

Agri-Cover, Inc.'s sole obligation under this Limited Warranty is limited to the repair or replacement at its option, of defective parts only. No labor or service allowance is given or implied. IN NO EVENT SHALL AGRI-COVER, INC. BE LIABLE FOR INCIDENTAL, CONSEQUENTIAL, OR SPECIAL DAMAGES. AGRI-COVER, INC. EXPRESSLY DISCLAIMS ANY AND ALL IMPLIED WARRANTIES OF MERCHANTABILITY, AND THERE ARE NO WARRANTIES WHICH EXTEND BEYOND THE LIMITED WARRANTY DESCRIPTION CONTAINED HEREIN.

For warranty, have serial number ready and fill out the warranty claim form at agricover.com/warrantyclaim or call Customer Service Department at 888-568-3709 to determine if only a replacement part is needed or if the mud flaps needs to be returned for inspection and repair. Goods to be returned must have a pre-authorized RA # (Return Authorization Number) - obtained by calling the number above. Mark the number on the package and ship it freight prepaid to address below. Agri-Cover, Inc. will pay freight to return goods to sender.

This Limited Warranty gives you specific legal rights and you may have other rights, which vary, from state to state.

For replacement parts shop at mudflapparts.com or call Customer Service at 888-568-3709.



Agri-Cover, Inc.
Customer Service Dept
3000 Hwy 281 SE
Jamestown, ND 58401
Phone: 888-568-3709

Hours: 8:00 am - 5:00 pm CST Monday through Friday, except Holidays