



UNIVERSAL FITTED MUD FLAP INSTALLATION INSTRUCTIONS

Thank you for purchasing ROCKSTAR™ Splash Guard Mud Flaps. Agri-Cover, Inc. proudly manufactured these mud flaps using superior quality materials and workmanship. With proper care, your mud flaps will provide years of service and enjoyment.

NOTICE TO INSTALLER: Even if familiar with mud flaps, read instructions prior to installation as improvements may be made without notice. Always handle components with care. If you have questions or problems, call customer service. When done, these instructions must be given to the consumer.

NOTICE TO CONSUMER: Before using this product, read safety and maintenance section of these instructions. Save these instructions for future reference.

FOR YOUR RECORDS

DATE PURCHASED: _____

WHERE PURCHASED: _____



Questions? 888-568-3709
agricover.com

PREPARATION

Unpack set of two mud flaps with components. Clean vehicle wheel wells. For additional installation assistance, go to rockstarmudflaps.com for install video.

MUD FLAP COMPONENTS

- (2) Mud flaps
- (2) Mounting brackets
- (1) Cardboard guide
- (12) Nylon hex nuts (#8-32)
- (12) Self-drilling screws (#10 x 1-1/4")

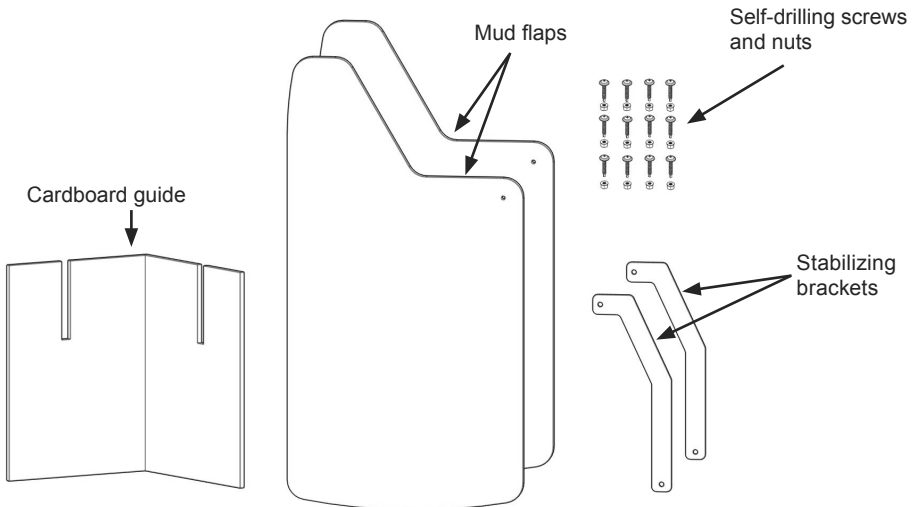
TOOLS NEEDED

- Angled drill/screwdriver with 5/16 socket
- Locking pliers
- Marking pen
- Protective eyewear
- Tape measure or ruler
- Straight edge
- Utility knife

NOTE: This document provides universal installation instructions for determining mounting hole locations, trimming mud flaps and installing mud flaps. The kit includes a cardboard guide to help identify mud flap mounting hole locations in the wheel well. Always verify mud flap is level before completing installation.

PARTS DIAGRAM

NOTE: Mud flaps may be purchased with or without pre-installed trim plates (not pictured). Trim plates are also available for purchase as an accessory.

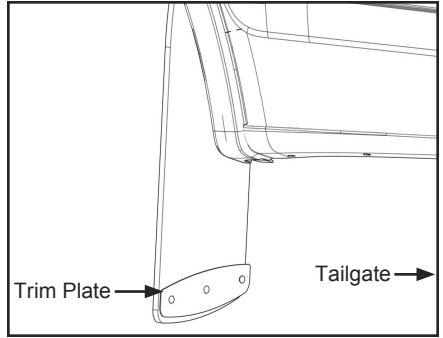


1. PREPARING FOR INSTALLATION

- A. Park on level ground with firm surface.
- B. Check free space behind front tires when fully turned. Ensure enough space and clearance to accommodate 5/16" thick mud flaps.

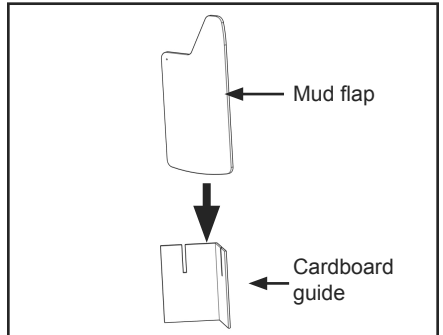


NOTE: If trim plates are pre-installed, face them toward rear during installation



2. DETERMINE MUD FLAP MOUNTING LOCATION

- A. Fold cardboard guide then insert bottom of mud flap into guide for an approximately level platform during installation.



2. DETERMINE MUD FLAP MOUNTING LOCATION

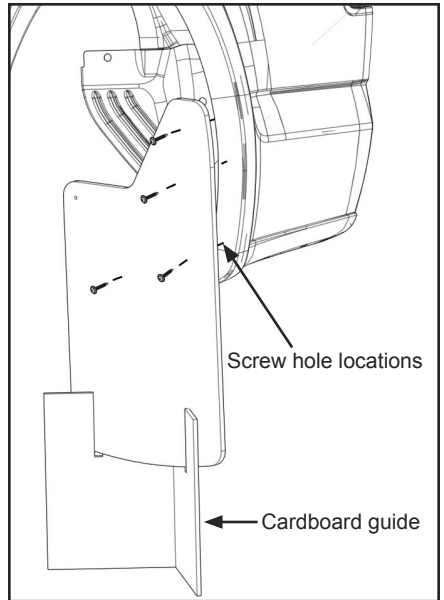
(Continued)

B. Position mud flap with cardboard guide in wheel well and determine mounting screw locations. Verify screw mounting locations will contact metal backing as much as possible.

NOTE: If you intend to tow heavy loads, mud flaps are typically mounted higher than height provided by cardboard guide.

▲ CAUTION: Ensure all mounting hole sides are free of wiring, mechanical parts and are structurally sound.

NOTE: The adjacent illustration depicts one possibility for screw locations, other vehicles and installation methods may require different screw locations.

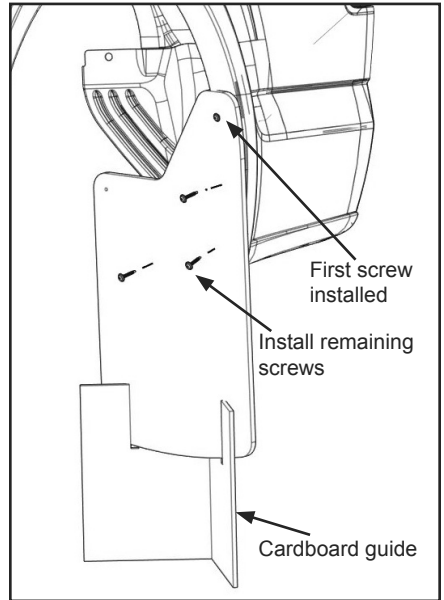


3. INSTALLING MUD FLAPS

A. With mud flap inserted in cardboard guide, use angled screwdriver with self-drilling screw to attach mud flap at first upper location.

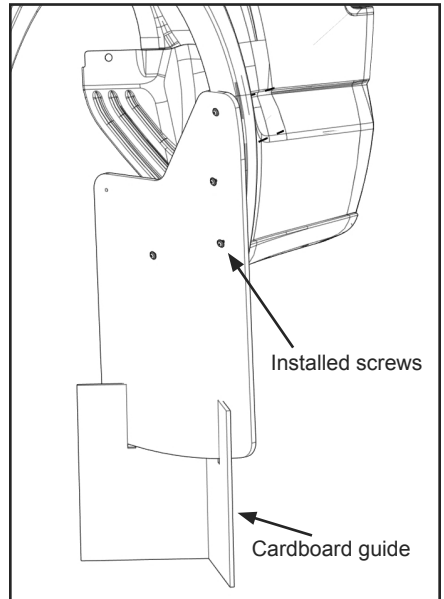
B. Level mud flap while adjusting in and out to obtain best fit then tighten screw to hold in place.

C. Use angled screwdriver with self-drilling screws to attach mud flap at remaining screw hole locations.



D. Secure screws with nuts.

NOTE: Use sufficient screws and nuts. The kit provides 6 self-drilling screws (#10 x 1-1/4") and nylon hex nuts per mud flap (4 self-drilling screws and nuts if the stabilizing bracket is installed).



4. INSTALLING STABILIZING BRACKET

NOTE: The stabilizing bracket is often used to pull back front mud flap for additional tire clearance or square mud flap with tire.

A. From behind the mud flap, determine the stabilizing bracket mounting position. Stabilizing bracket should attach to mud flap and vehicle body.



B. Use locking pliers to bend stabilizing bracket as needed.

NOTE: Ensure bends in stabilizing bracket conform to mounting locations before attaching to mud flap and vehicle.

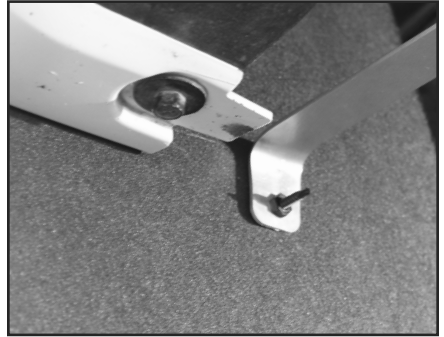


C. Use screwdriver with self-drilling screw to carefully drill a hole in mud flap, then remove screw.



4. INSTALLING STABILIZING BRACKET (Continued)

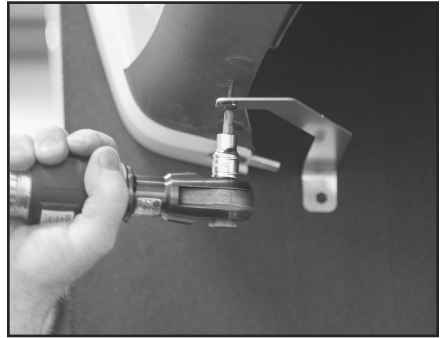
D. Insert screw from opposite side (closest to wheel) in mud flap, through stabilizing bracket and secure with nut.



E. With stabilizing bracket attached to mud flap, adjust stabilizing bracket until enough clearance is provided in wheel well.

F. Attach free end of stabilizing bracket to vehicle with self-drilling screw and secure with nut when possible.

G. Repeat process for remaining mud flaps.



SAFETY AND MAINTENANCE

The operator can perform most of inspection and maintenance. It may be necessary to review the installation instructions.

- Periodically check all screws and nuts, retighten if needed.
- If mud flap has been damaged, replace with new one.

NOTE: Inspection and/or maintenance should be performed anytime a malfunction is observed or suspected. If you need assistance inspecting and/or servicing your mud flaps, call customer service at 888-568-3709. Always use original equipment replacement parts for your mud flaps.

MANUFACTURER'S LIMITED WARRANTY

Agri-Cover, Inc. extends the following (1) year Limited Warranty for the ROCKSTAR™ Splash Guard Mud Flaps:

Agri-Cover, Inc. warrants a period of one (1) year from the date of manufacture that its ROCKSTAR™ Splash Guard Mud Flaps are free from defects in workmanship, under normal use for the truck model it was intended for. This Limited Warranty does not cover any damage due to accident, abuse, misuse, alteration, neglect, improper installation, or ordinary wear and tear.

Agri-Cover, Inc.'s sole obligation under this Limited Warranty is limited to the repair or replacement at its option, of defective parts only. No labor or service allowance is given or implied. IN NO EVENT SHALL AGRI-COVER, INC. BE LIABLE FOR INCIDENTAL, CONSEQUENTIAL, OR SPECIAL DAMAGES. AGRI-COVER, INC. EXPRESSLY DISCLAIMS ANY AND ALL IMPLIED WARRANTIES OF MERCHANTABILITY, AND THERE ARE NO WARRANTIES WHICH EXTEND BEYOND THE LIMITED WARRANTY DESCRIPTION CONTAINED HEREIN.

For warranty, have serial number ready and fill out the warranty claim form at agricover.com/warrantyclaim or call Customer Service Department at 888-568-3709 to determine if only a replacement part is needed or if the mud flaps needs to be returned for inspection and repair. Goods to be returned must have a pre-authorized RA # (Return Authorization Number) - obtained by calling the number above. Mark the number on the package and ship it freight prepaid to address below. Agri-Cover, Inc. will pay freight to return goods to sender.

This Limited Warranty gives you specific legal rights and you may have other rights, which vary, from state to state.

For replacement parts shop at rockstarmudflaps.com or call Customer Service at 888-568-3709.



Agri-Cover, Inc.
Customer Service Dept
3000 Hwy 281 SE
Jamestown, ND 58401
Phone: 888-568-3709

Hours: 8:00 am - 5:00 pm CST Monday through Friday, except Holidays