



2015-20 FORD F-150 INSTALLATION INSTRUCTIONS

Thank you for purchasing ROCKSTAR™ Splash Guard Mud Flaps. Agri-Cover, Inc. proudly manufactured these mud flaps using superior quality materials and workmanship. With proper care, your mud flaps will provide years of service and enjoyment.

NOTICE TO INSTALLER: Even if familiar with mud flaps, read instructions prior to installation as improvements may be made without notice. Always handle components with care. If you have questions or problems, call customer service. When done, these instructions must be given to the consumer.

NOTICE TO CONSUMER: Before using this product, read safety and maintenance section of these instructions. Save these instructions for future reference.

FOR YOUR RECORDS

DATE PURCHASED: _____

WHERE PURCHASED: _____



Questions? 888-568-3709
agricover.com

PREPARATION

Unpack set of two mud flaps with components. Clean vehicle wheel wells. For additional installation assistance, go to rockstarmudflaps.com for install video.

MUD FLAP COMPONENTS

- (2) Mud flaps
- (8) #10 x 1-1/4" Self-drilling hex screws
- (8) #10 x 1/2" Washers
- (2) 10-24 Serrated flange nuts
- (2) 10-24 x 1-1/2" Truss head screws
- (1) Front wheel well drill template

TOOLS NEEDED

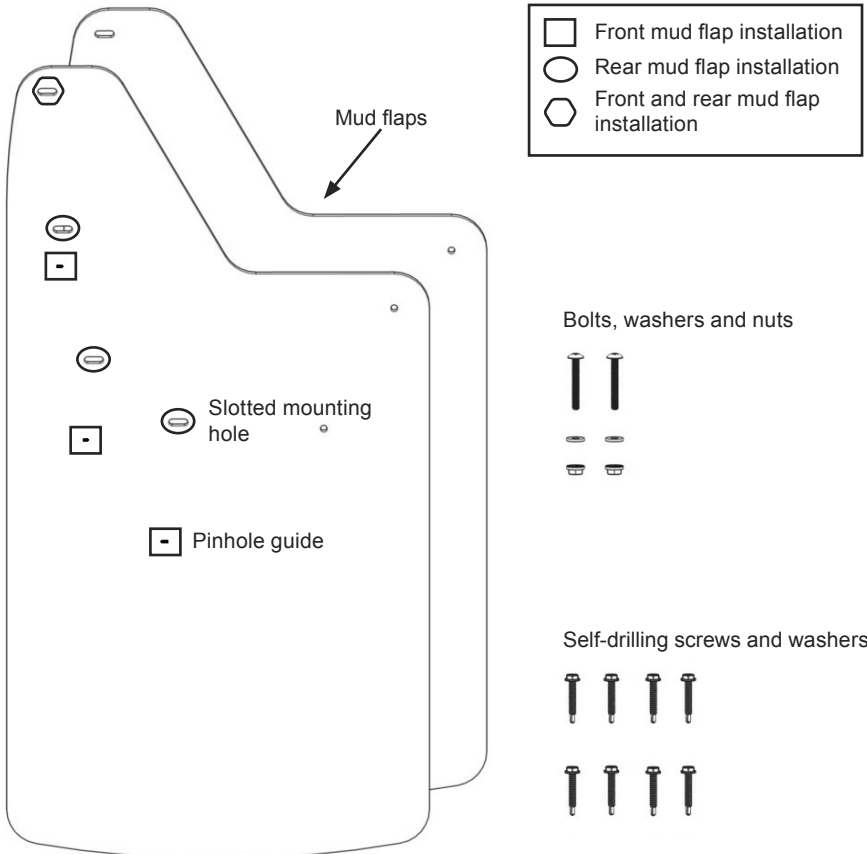
- Angled drill/screwdriver with Phillips #2 and 5/16" socket
- Protective eyewear
- Masking tape
- Scissors

NOTE: Hardware components and appearance may vary.

⚠ CAUTION: These instructions involve drilling holes. Ensure all mounting hole sides are free of wiring, mechanical parts and are structurally sound.

PARTS DIAGRAM

NOTE: Mud flaps may be purchased with or without pre-installed trim plates (not pictured). Trim plates are also available for purchase as an accessory.



1. PREPARING FOR INSTALLATION

A. Park on level ground with firm surface.

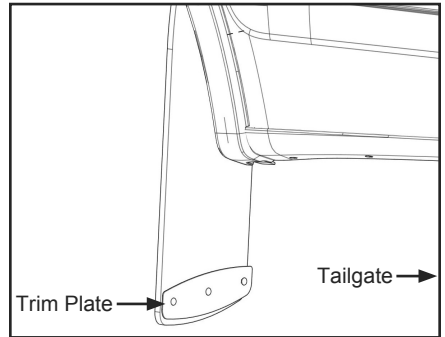
B. Check free space behind front tires when fully turned. Ensure enough space and clearance to accommodate 5/16" thick mud flaps.



NOTE: If trim plates are pre-installed, face them toward tailgate during installation.

C. To install mud flaps, perform one of the following:

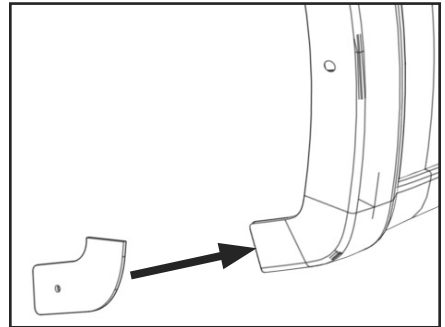
- See Step 2 for front wheel well installation
- See Step 3 (page 5) for rear flared wheel well installation
- See Step 4 (page 7) for rear non-flared wheel well installation



2. INSTALLING MUD FLAPS TO FRONT

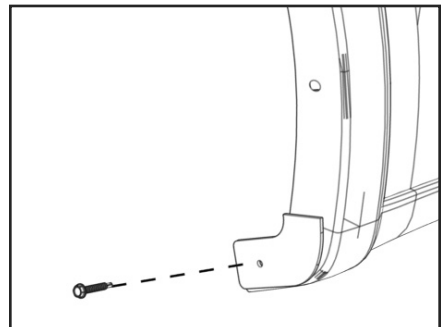
A. Two templates are supplied on a single sheet of paper. Carefully cut out each template.

B. Align template with bottom corner of wheel well (behind wheel). Use masking tape to hold in place.



C. Drill hole in location indicated by template with #10 x 1-1/4" self-drilling screw.

D. Remove self-drilling screw and template.

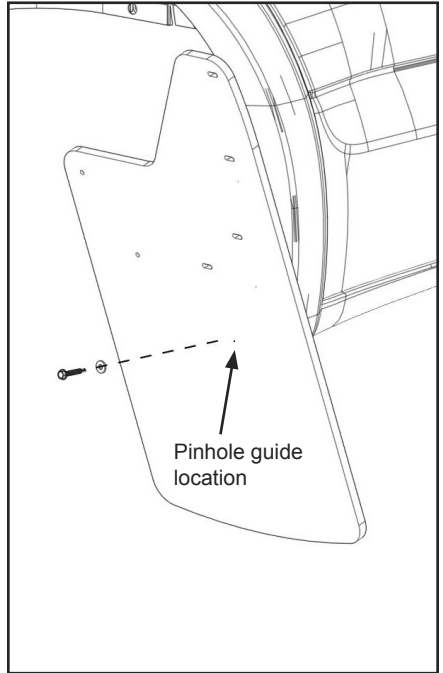


2. INSTALLING MUD FLAPS TO FRONT (Continued)

NOTE: Front mud flap installation uses 3 pinhole guides and 1 slotted mounting hole per mud flap, see PARTS DIAGRAM (page 2) for locations.

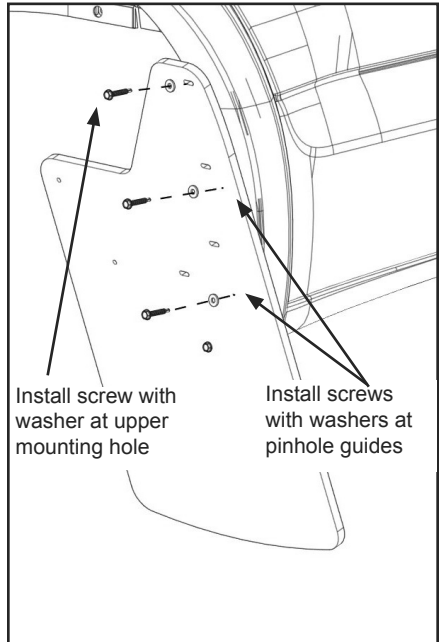
E. Install mud flap with (1) #10 x 1-1/4" self-drilling hex screw and washer to newly drilled hole.

F. Level mud flap while adjusting placement to obtain best fit then tighten screw to hold in place.



G. Verify mud flap is level then install (2) #10 x 1-1/4" self-drilling hex screws with washers at remaining pinhole guides and (1) #10 x 1-1/4" self-drilling hex screw with washer at upper mounting hole. Ensure screws contact metal backing as much as possible

H. Repeat for remaining front mud flap.



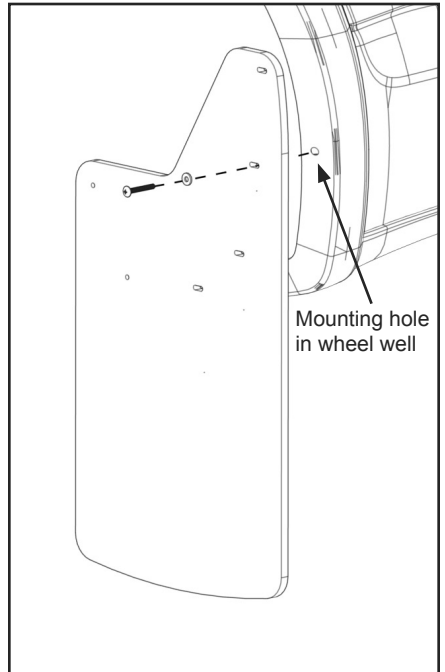
3. INSTALLING MUD FLAPS TO FLARED REAR

NOTE: Rear mud flap installation uses 4 slotted mounting holes per mud flap, see PARTS DIAGRAM (page 2) for locations.

A. Position mud flap in wheel well as shown. Align 2nd slotted hole from top with mounting hole in wheel well.

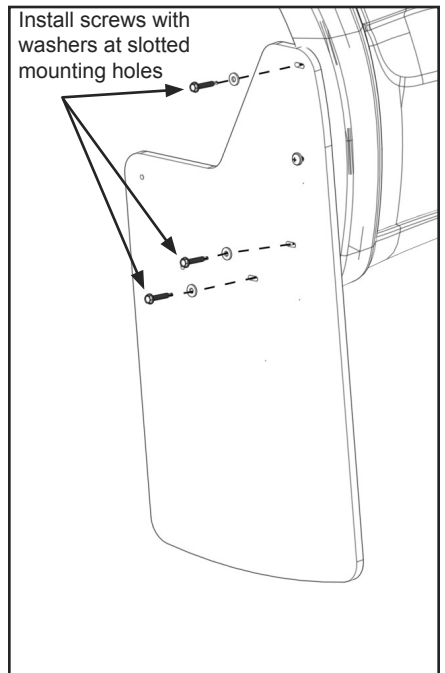
B. Insert 10-24 x 1-1/2" truss head screw with washer through mud flap and into mounting hole and secure with nut.

C. Level mud flap while adjusting in and out to obtain best fit then tighten screw to hold in place.



D. Install (3) #10 x 1-1/4" self-drilling hex screws with washers at remaining slotted mounting holes and tighten screws.

E. Repeat for remaining rear mud flap.



4. INSTALLING MUD FLAPS TO NON-FLARED REAR

NOTE: Rear mud flap installation uses 4 slotted mounting holes per mud flap, see PARTS DIAGRAM (page 2) for locations.

A. Remove bottom inner factory mounting hardware from wheel well.



B. Install 10-24 x 1-1/2" truss head screw with washer at 4th slotted mounting hole from top. Secure with nut.

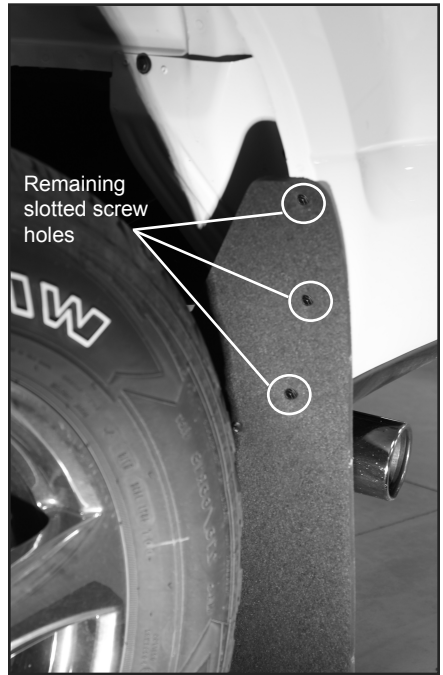
C. Level mud flap while adjusting in and out to obtain best fit then tighten screw to hold in place.



4. INSTALLING MUD FLAPS TO NON-FLARED REAR (Continued)

D. Install (3) #10 x 1-1/4" self-drilling hex screws with washers at remaining slotted mounting holes.

E. Repeat for remaining rear mud flap.



SAFETY AND MAINTENANCE

The operator can perform most inspection and maintenance. It may be necessary to review the installation instructions.

- Periodically check all screws, washers and nuts, retighten if needed.
- If mud flap has been damaged, replace with new one.

NOTE: Inspection and/or maintenance should be performed anytime a malfunction is observed or suspected. If you need assistance inspecting and/or servicing your mud flaps, call customer service at 888-568-3709. Always use original equipment replacement parts for your mud flaps.

MANUFACTURER'S LIMITED WARRANTY

Agri-Cover, Inc. extends the following (1) year Limited Warranty for the ROCKSTAR™ Splash Guard Mud Flaps:

Agri-Cover, Inc. warrants a period of one (1) year from the date of manufacture that its ROCKSTAR™ Splash Guard Mud Flaps are free from defects in workmanship, under normal use for the truck model it was intended for. This Limited Warranty does not cover any damage due to accident, abuse, misuse, alteration, neglect, improper installation, or ordinary wear and tear.

Agri-Cover, Inc.'s sole obligation under this Limited Warranty is limited to the repair or replacement at its option, of defective parts only. No labor or service allowance is given or implied. IN NO EVENT SHALL AGRI-COVER, INC. BE LIABLE FOR INCIDENTAL, CONSEQUENTIAL, OR SPECIAL DAMAGES. AGRI-COVER, INC. EXPRESSLY DISCLAIMS ANY AND ALL IMPLIED WARRANTIES OF MERCHANTABILITY, AND THERE ARE NO WARRANTIES WHICH EXTEND BEYOND THE LIMITED WARRANTY DESCRIPTION CONTAINED HEREIN.

For warranty, have serial number ready and fill out the warranty claim form at agricover.com/warrantyclaim or call Customer Service Department at 888-568-3709 to determine if only a replacement part is needed or if the mud flaps needs to be returned for inspection and repair. Goods to be returned must have a pre-authorized RA # (Return Authorization Number) - obtained by calling the number above. Mark the number on the package and ship it freight prepaid to address below. Agri-Cover, Inc. will pay freight to return goods to sender.

This Limited Warranty gives you specific legal rights and you may have other rights, which vary, from state to state.

For replacement parts shop at rockstarmudflaps.com or call Customer Service at 888-568-3709.



Agri-Cover, Inc.
Customer Service Dept
3000 Hwy 281 SE
Jamestown, ND 58401
Phone: 888-568-3709

Hours: 8:00 am - 5:00 pm CST Monday through Friday, except Holidays